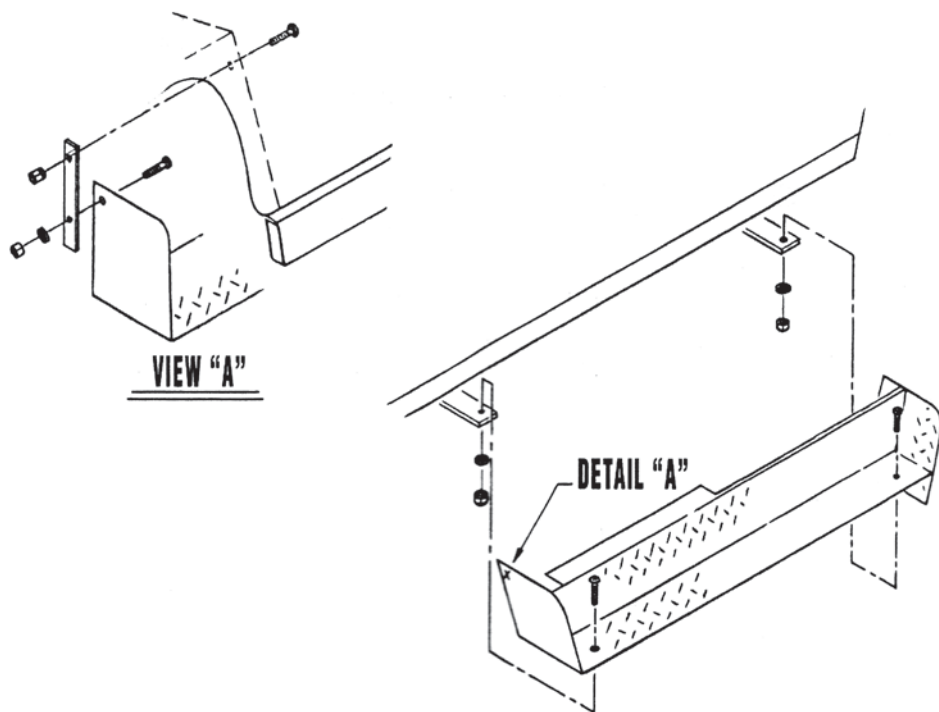


## ASSEMBLY INSTRUCTIONS

- A. Lay running board on car and frame mounts. Slide frame mounts out until they stop or dead end into the backside of the running board to achieve the most support for the running board.
- B. Tighten upper and lower mounts securely.
- C. Using a 1/4" bit, drill through existing holes in frame mounts and running board floor panels as shown. Use 4 ea. hardware B, D and E. Tighten securely.
- D. Bend and move the front mount tab up under the cowl so that it lays snug against the underside of the car's floorboard. Hold in place and drill 1/4" clearance holes. Use 2 ea. hardware A, D and E to fasten securely.



## RKP YA5 3170 Running Board Kit Used on Yamaha G14 / G16 / G19 Carts



## ASSEMBLY INSTRUCTIONS

### Running Board Kit for Yamaha G14/16/19



**PARTS LIST**

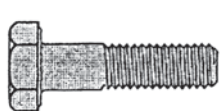
- 1. RH Running Board. Yamaha G14/16/19 .....1 ea.
- 2. LH Running Board. Yamaha G14/16/19 .....1 ea.
- 3. Upper Mount, Yamaha G14/16/19 Running Board (not shown) .....4 ea.
- 4. Lower Mount, Yamaha G14/16/19 Running Board .....4 ea.
- 5. Hardware Kit for Yamaha G14/16/19 .....1 ea.
- 6. Instruction Sheet .....1 ea.

**HARDWARE LIST**

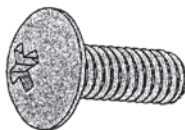
- A. 1/4-20 x 3/4" Phillips Pan Head Stainless Bolt .....4 pcs
- B. 1/4-20 x 1" Phillips Truss Head Stainless Bolt .....4 pcs
- C. 1/4-20 x 1-1/4" Hex Bolt .....8 pcs
- D. 1/4-20 Nylok Nut .....16 pcs
- E. 1/4" Flat Washer .....24 pcs

**ASSEMBLY INSTRUCTIONS**

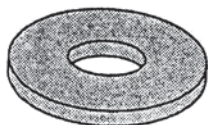
- A. Remove existing side trim.
- B. Install front tie-in bracket to front panel using 1/4-20 x 3/4" phillips truss head bolts. Refer to view "A" on back side.
- C. Install upper and lower frame mounts as shown in diagram and tighten loosely leaving a little room for play. Note: View of frame is upside down.



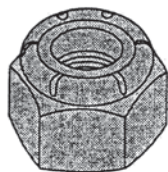
**C**



**A, B**



**E**



**D**

